
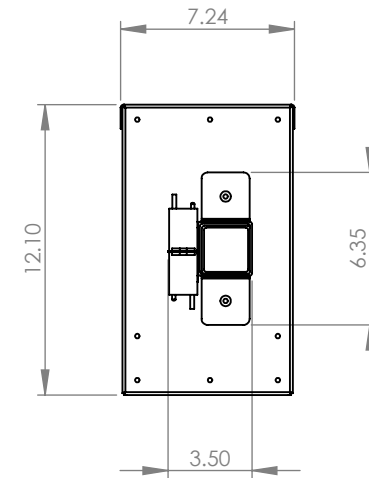
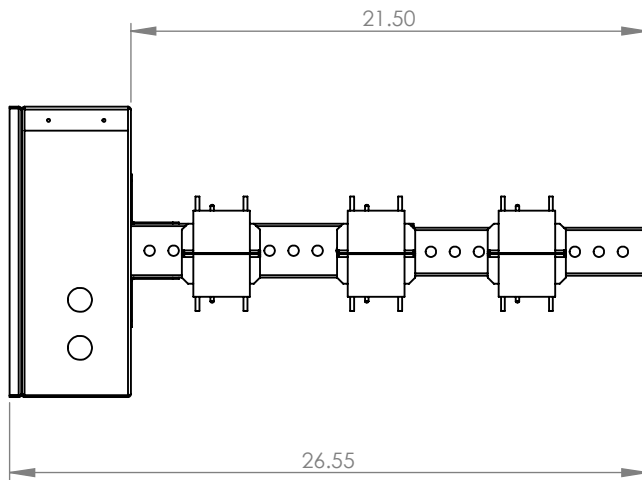
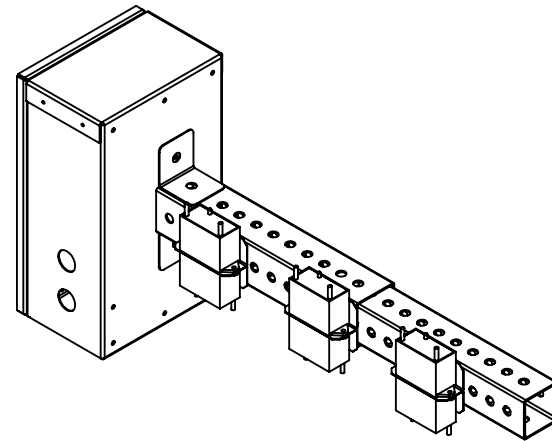
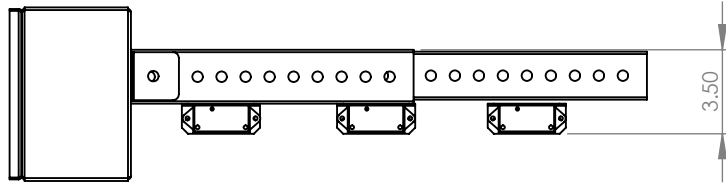


C:\Users\engineering\Desktop\Ionization\Rod ION Array\Assem1

REV	ECO #	DESCRIPTION	DATE	CHANGED BY	APPROVED BY
A					
B					
C					
D					
E					
F					
G					
H					

		<b>iAIRE, LLC</b> 6805 HILLSDALE COURT, INDIANAPOLIS, INDIANA 46250 TEL: (800) 886-2281 WWW.MYIAIRE.COM FAX: (317) 806-2770			
		THE INFORMATION CONTAINED IN THIS DRAWING IS THE SOLE PROPERTY OF iAIRE, LLC. ANY REPRODUCTION IN PART OR WHOLE WITHOUT THE WRITTEN PERMISSION OF iAIRE, LLC IS PROHIBITED.		PART NUMBER <b>ION-G0712**</b>	
		PART DESCRIPTION <b>ION Rod Array Submittal</b>			
TOLERANCES	WEIGHT (lb)	MATERIAL	DRAWING SCALE	SHEET	SIZE
±1/32", ±0.031", ±2°	N/A	SEE BOM	1:10	1 OF 3	<b>A</b>



C:\Users\engineering\Desktop\Ionization\Rod ION Array\Assem1

REV	ECO #	DESCRIPTION	DATE	CHANGED BY	APPROVED BY
A					
B					
C					
D					
E					
F					
G					
H					



**IAIRE, LLC**

6805 HILLSDALE COURT, INDIANAPOLIS, INDIANA 46250  
 TEL: (800) 886-2281 WWW.MYIAIRE.COM FAX: (317) 806-2770

THE INFORMATION CONTAINED IN THIS DRAWING IS THE SOLE PROPERTY OF IAIRE, LLC. ANY REPRODUCTION IN PART OR WHOLE WITHOUT THE WRITTEN PERMISSION OF IAIRE, LLC IS PROHIBITED.

PART NUMBER

ION-G0712\*\*

PART DESCRIPTION

ION Rod Array Submittal

TOLERANCES  
 $\pm 1/32"$ ,  $\pm 0.031"$ ,  $\pm 2^\circ$

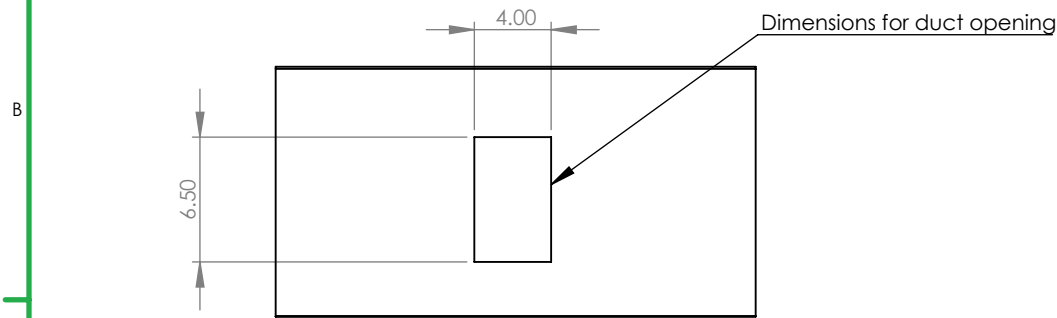
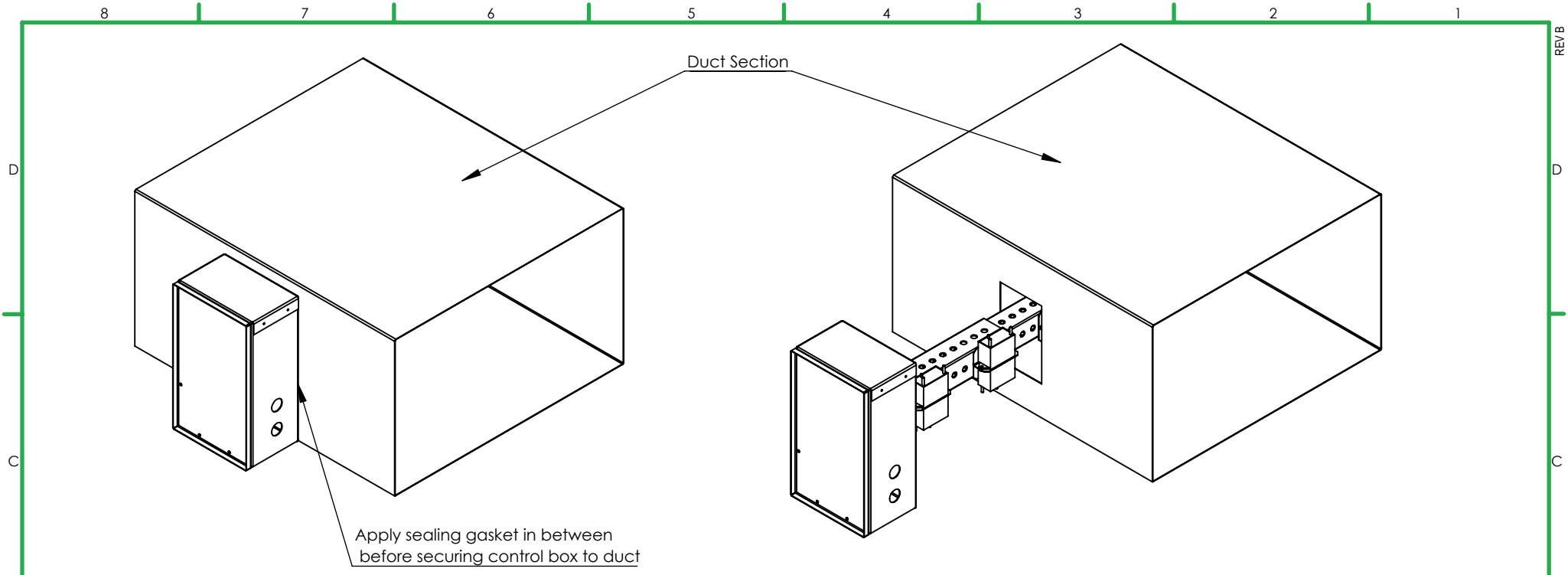
WEIGHT (lb)  
 N/A

MATERIAL  
 SEE BOM

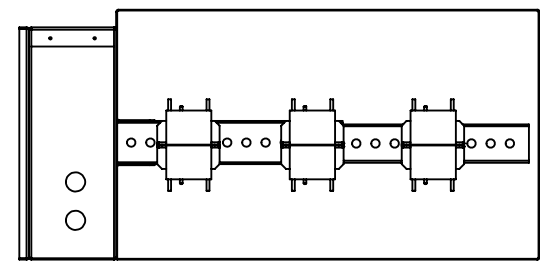
DRAWING SCALE  
 1:10

SHEET  
**2 OF 3**

SIZE  
**A**



**Side View**



**Front View**

C:\Users\engineering\Desktop\Ionization\Rod ION Array\Assem22

REV	ECO #	DESCRIPTION	DATE	CHANGED BY	APPROVED BY
A					
B					
C					
D					
E					
F					
G					
H					



**iAIRE, LLC**

6805 HILLSDALE COURT, INDIANAPOLIS, INDIANA 46250  
 TEL: (800) 886-2281 WWW.MYIAIRE.COM FAX: (317) 806-2770

THE INFORMATION CONTAINED IN THIS DRAWING IS THE SOLE PROPERTY OF iAIRE, LLC. ANY REPRODUCTION IN PART OR WHOLE WITHOUT THE WRITTEN PERMISSION OF iAIRE, LLC, IS PROHIBITED.

PART NUMBER  
**ION-G0712\*\***  
 PART DESCRIPTION  
**ION Rod Array Submittal**

TOLERANCES ±1/32", ±0.031", ±2°	WEIGHT (lb) N/A	MATERIAL SEE BOM	DRAWING SCALE 1:10	SHEET <b>3 OF 3</b>	SIZE <b>A</b>
------------------------------------	--------------------	---------------------	-----------------------	------------------------	------------------